



- Dimension (W x L x H): 54.5 x 220 x 40 mm
- Maximum Output Power: 600W



INPUT CHARACTERISTICS

RATED VOLTAGE / CURRENT	100-240VAC / 7.5 – 3.5A
RATED FREQUENCY	50-60HZ
INRUSH CURRENT	Less than 25A
POWER FACTOR	98% Typical

DC OUTPUT CHARACTERISTICS

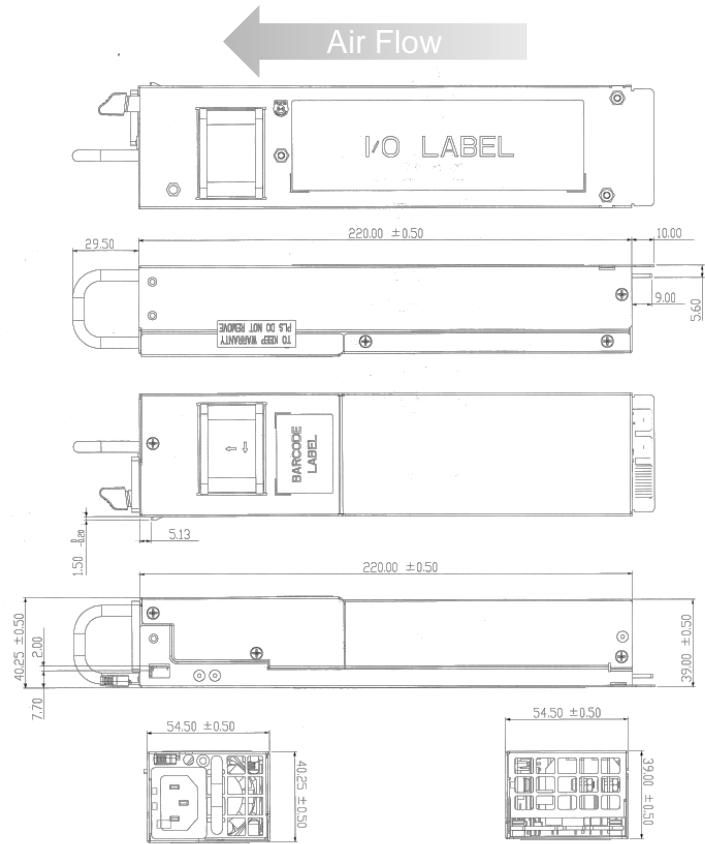
MAXIMUM POWER	600W	
EFFICIENCY	80Plus Platinum Typical 94%+ @ 230Vac	
OUTPUT VOLTAGE	+12V	+5Vsb
MAXIMUM OUTPUT CURRENT	50A	3A
REGULATION	+/- 5%	+/- 5%
OUTPUT RIPPLE & NOISE	120mV	50mV
OUTPUT CONNECTOR	Gold Finger	
HOLD UP TIME	PWOK 11ms at 100% Loading 12V 12ms at 100% loading	

GENERAL SPECIFICATIONS

REMOTE MANAGEMENT	PMBus 1.2 Compatible FRU Data
MTBF	>250000hours at 25 °C
REDUNDANCY	Hot swappable, N+1
LEAKAGE CURRENT	Less than 2mA
PROTECTION	Output Over Current/Voltage, Short Circuit, Over Temperature, Input Under Voltage

Features and Benefits:

- Short Depth Design
- PMBus 1.2 Support for Remote Management
- Hot-swappable Redundant



REGULATORY

SAFETY COMPLIANCE	UL60950-1/CSE 60950-1 EN60950-1 IEC60950-1 CB Report CE Low Voltage Directive BSMI CCC GB4943 (China)
EMC	EMI Class A

ENVIRONMENTAL SPECIFICATIONS

AMBIENT TEMPERATURE	Operating: 0 to 50 °C Non-Operating: -40 to 70 °C
OPERATING ALTITUDE	Operating: to 2000m Non-Operating: to 15200m
RELATIVE HUMIDITY	Operating: to 85% (non-condensing) Non-Operating: to 95% (non-condensing)

Disclaimer: Specification is subject to change without prior notice