

Aruba X544 Universal 4-Post Duct Kit Installation

Installing air duct kit JL716A

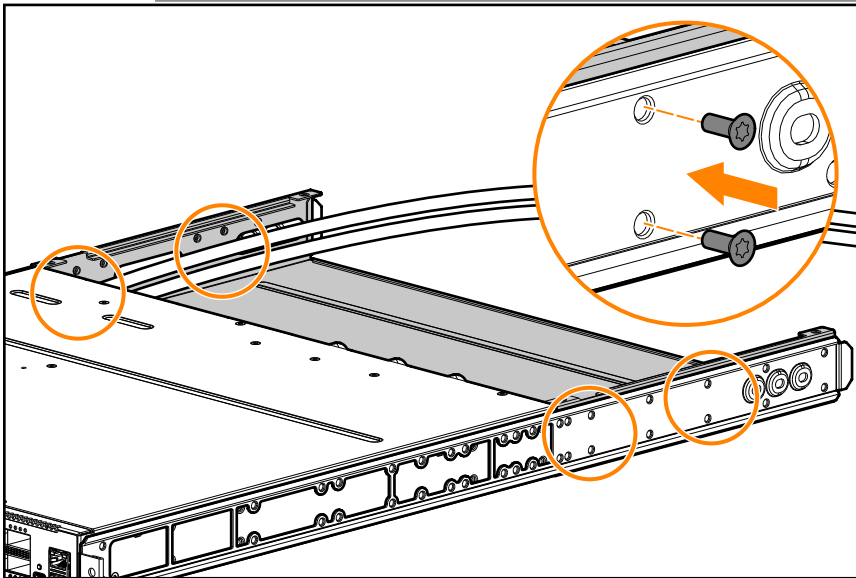
The air duct kit (JL716A) allows cool air to be brought in from the aisle side of a rack for power-to-port airflow switches. Without using the air duct kit, warm air from the rack will be drawn into the switch chassis from the rack, reducing the cooling efficiency of the switch.

Procedure

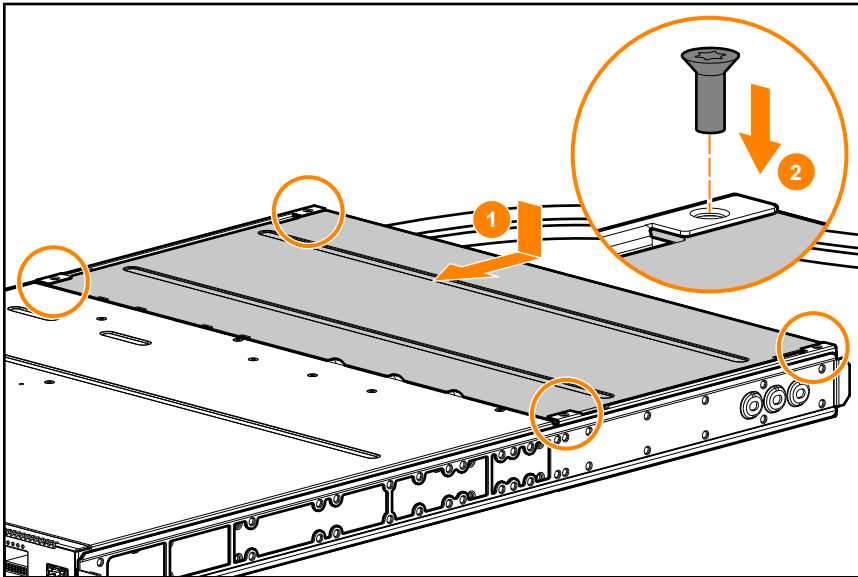
1. Attach the inner rack rail slides from the four post universal rail kit (J9583B) to the sides of the switch.
2. Slide the air duct kit base to the rear of the switch with the airflow indicator pointing toward the fans.
3. Attach the base to the inner rack rail slides using eight (8) M4 screws (M4 hardware is included with the J9583B kit).



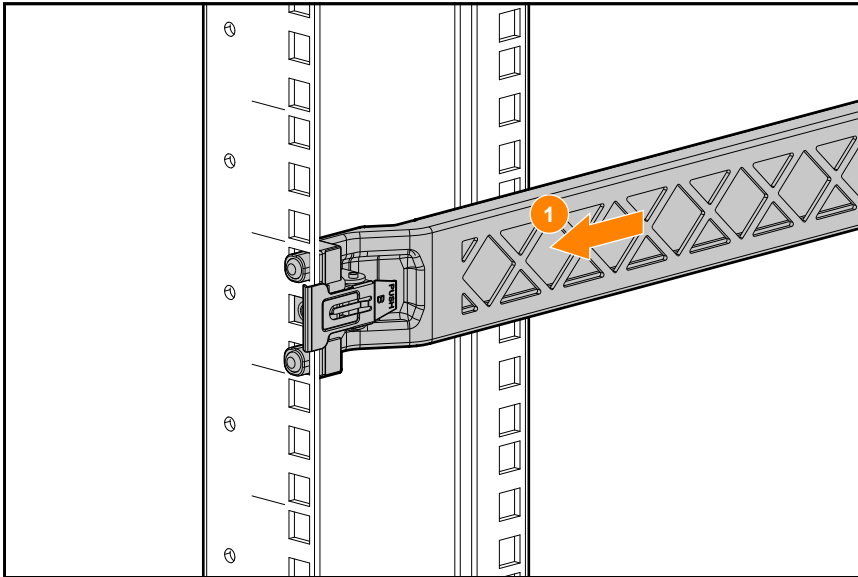
NOTE: Switches with different depths will align with different mounting points on the inner rack slides. The air duct kit supports 15 inch, 16 inch, and 20 inch depth switches.



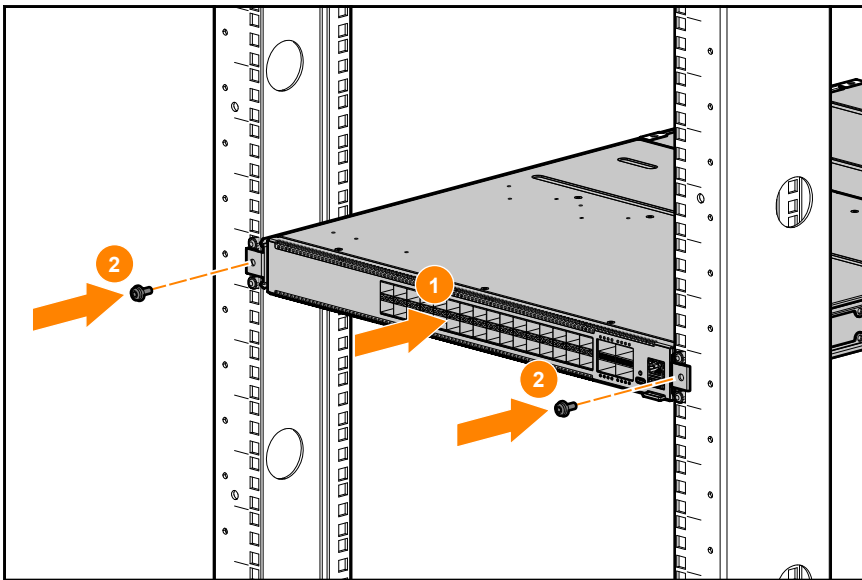
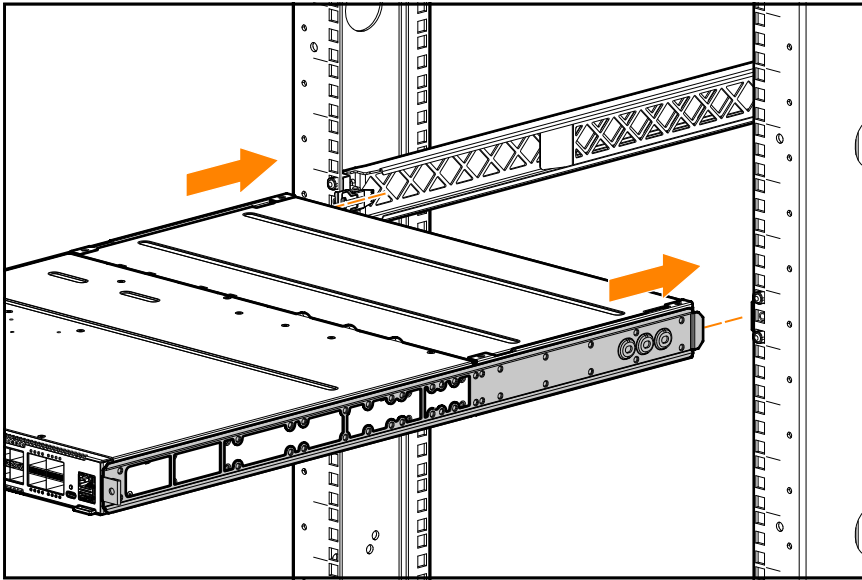
4. Attach power cables to the switch and secure them to the power supply handles using cable ties or hook and loop fasteners (not provided).
5. Attach the console RJ cable to the rear of the switch if needed.
6. Coil excess cords.
7. Attach the air duct kit cover to the switch by aligning the tabs in the cover with notches in the base and sliding it toward the switch, then securing it with four (4) M3 screws. The airflow direction indicator should point toward the fans.



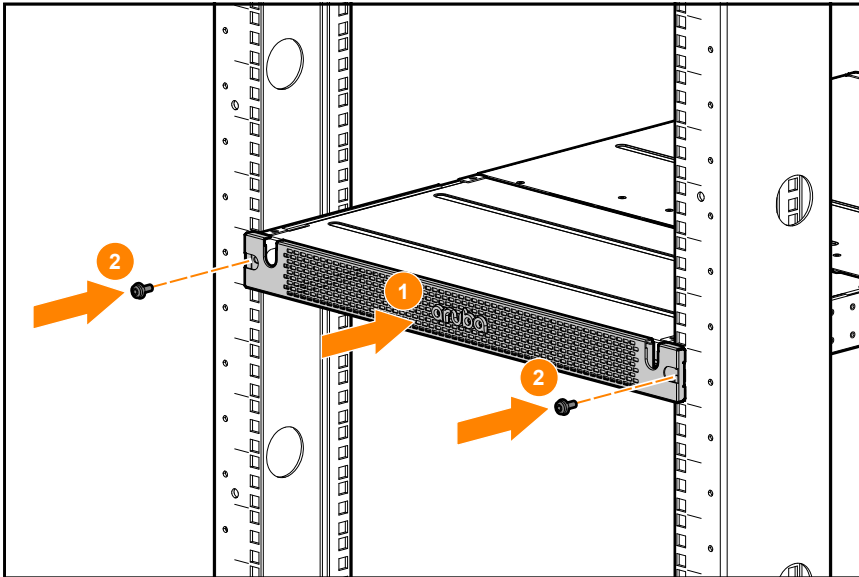
8. Install the four post rack rail kit in the rack with the rear of the rails pointing toward the front (cold aisle) of the rack.



9. Install the switch with air duct kit into the rack rails and secure the switch and rack rails with two (2) 10-32 screws.



10. Install the air duct kit bezel by inserting it into the air duct base.



11. Dress the power cables and any RJ console cable out the slots in the sides of the bezel and secure the bezel using two (2) 10-32 screws.

Documentation feedback

Send any errors, suggestions, or comments to Documentation Feedback (docsfeedback-switching@hpe.com).